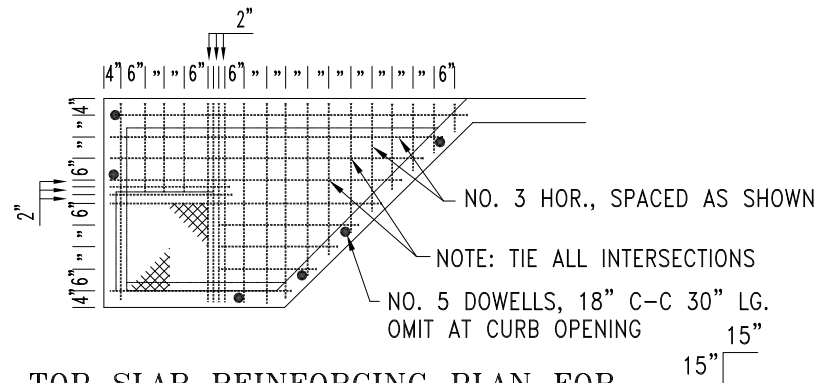
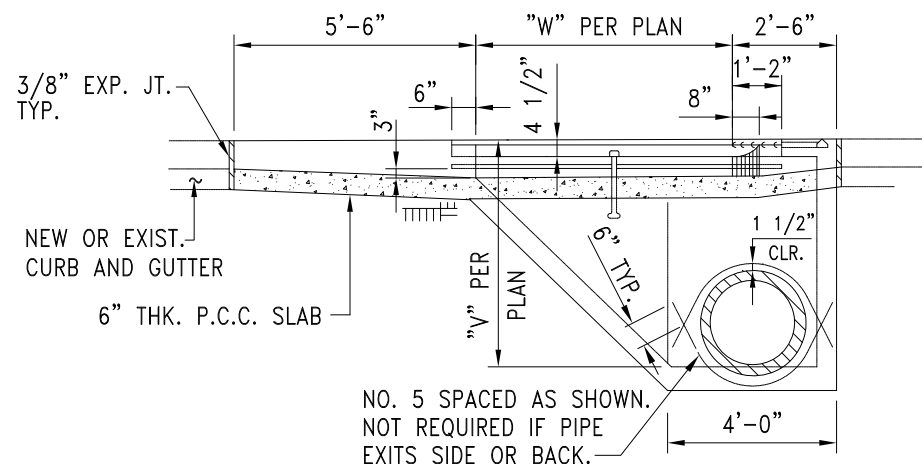


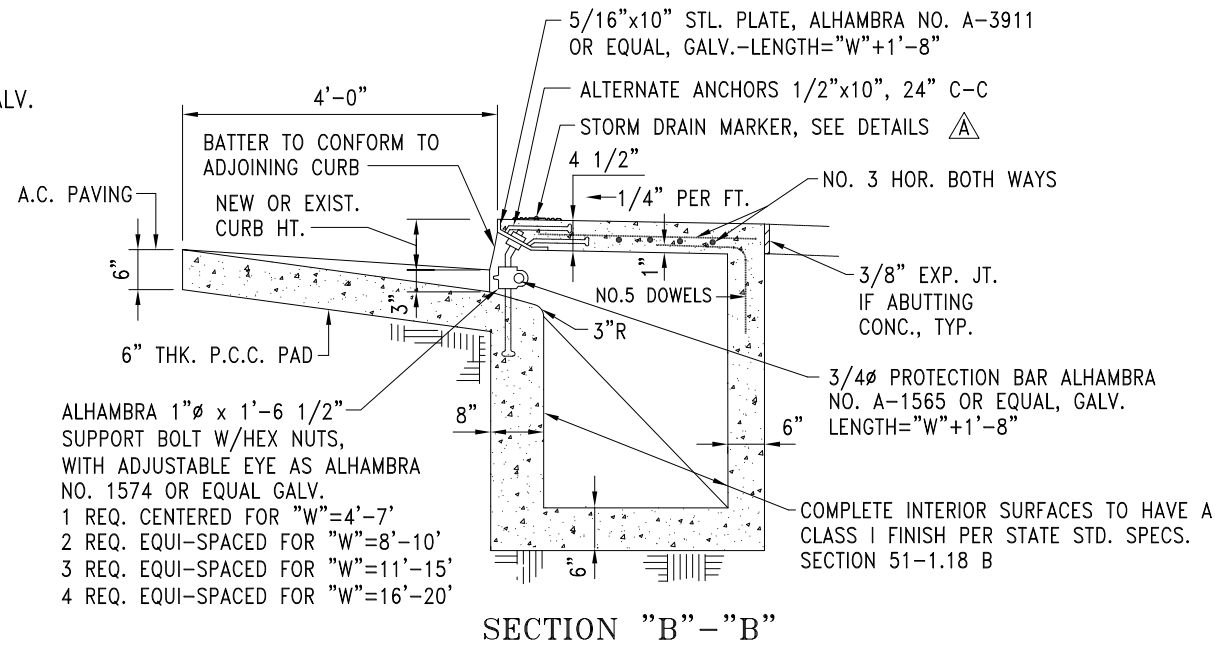
DROP INLET STRUCTURE PLAN



**TOP SLAB REINFORCING PLAN FOR
DROP INLET STRUCTURE**



SECTION "A"-"A"

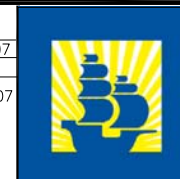


SECTION "B"-"B"

GENERAL NOTES:

1. USE CLASS "A" 6 SK. P.C.C. THROUGHOUT.
2. METHODS, MATERIALS, & WORKMANSHIP PER CITY STD. SPEC. FOR MATERIALS AND INSTALLATION OF STORM DRAINAGE PIPELINES.
3. TOP SLAB STEEL TO BE EXTENDED TO WITHIN 1-1/2" OF OUTSIDE FACE OF WALLS.

DAVID J WHITEHEAD LIC: 47974 EXP. 12/31/07		DATE 11/07/07	
REVISIONS		BY	APP DATE
A	ADDED STORM DRAIN MARKER	CJP	SS 11/07/07
DRAWN BY: L.U.		DATE DRAWN: 11/74	



**City of Santa Maria
Standard Drawing**

DESCRIPTION:
**DROP INLET STRUCTURE
(FLOW BY)**

STANDARD NUMBER
DR-10.1

SCALE: NONE

SHEET 1 OF 4