

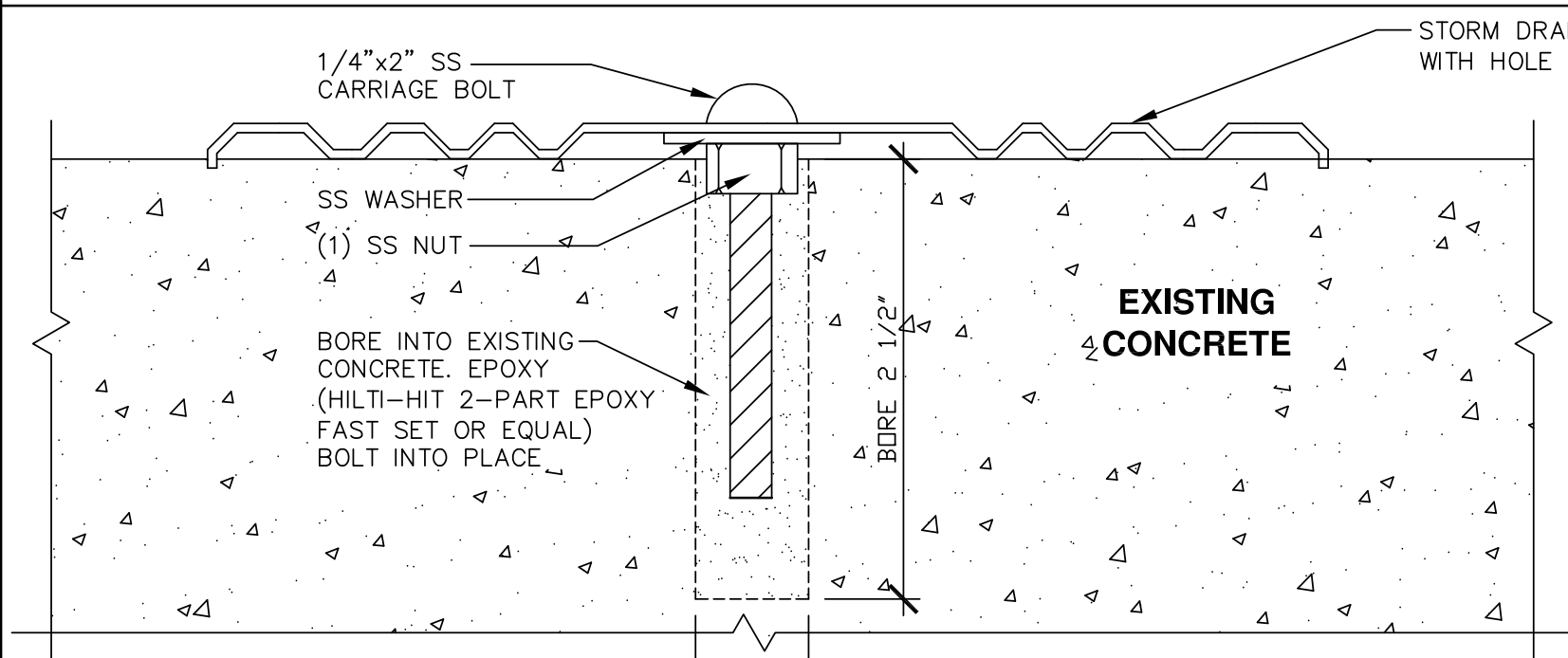
STORM DRAIN MARKER WITH HOLE (1/4"x1/4")  
 EMBEDDED 1/8" DOWN INTO WET CONCRETE

1/4"x2" SS CARRIAGE BOLT  
 SS WASHER  
 (2) SS NUT

**WET CONCRETE**

HARDWARE  
 (1) 1/4"x2" SS CARRIAGE BOLT  
 (1) 5/16"x5/8" O.D.x.062" THICK SS WASHER  
 (2) 1/4"x20 UNC SS NUT

**WET CONCRETE INSTALLATION**



STORM DRAIN MARKER WITH HOLE (1/4"x1/4")

1/4"x2" SS CARRIAGE BOLT  
 SS WASHER  
 (1) SS NUT

BORE INTO EXISTING CONCRETE. EPOXY (HILTI-HIT 2-PART EPOXY FAST SET OR EQUAL) BOLT INTO PLACE

**EXISTING CONCRETE**

HARDWARE  
 (1) 1/4"x2" SS CARRIAGE BOLT  
 (1) 5/16"x5/8" O.D.x.062" THICK SS WASHER  
 (1) 1/4"x20 UNC SS NUT

**DRY CONCRETE INSTALLATION**

1/2" (width of marker hole)  
 2 1/2" (depth of bore)

DAVID J WHITEHEAD LIC: 47974 EXP. 12/31/07		DATE	
REV	ITEM	REVISIONS	BY APP DATE
DRAWN BY: CHRISTOPHER PETRO		DATE DRAWN: 11/07/07	



City of Santa Maria  
 Standard Drawing

DESCRIPTION: STORM DRAIN MARKER INSTALLATION DETAILS

STANDARD NUMBER  
**DR-10.4**

SCALE: NTS

SHEET 4 OF 4