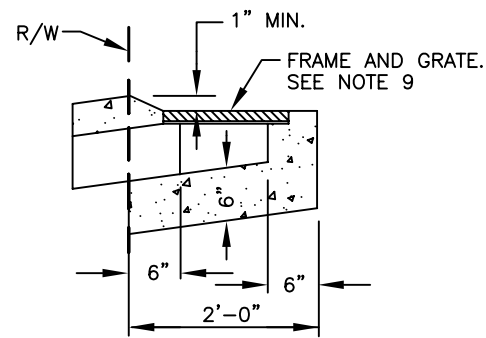
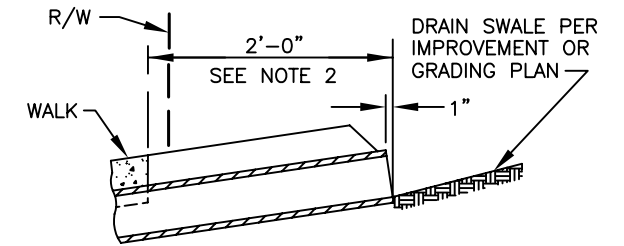


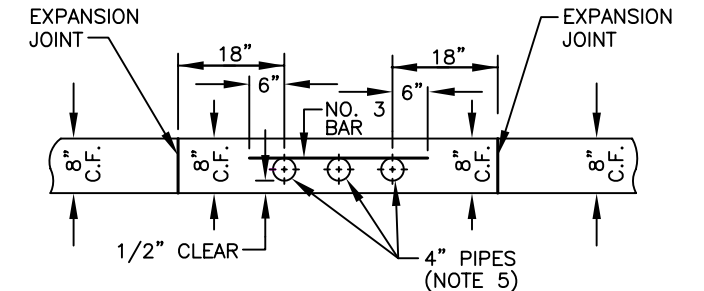
CASE I INLET
TRANSITION STRUCTURE SECTION



CASE II INLET
DROP INLET CATCH BASIN SECTION

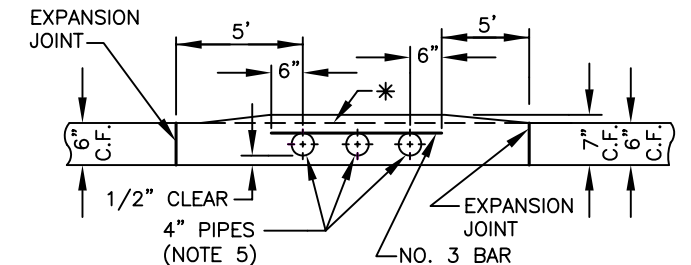


CASE III INLET
DRAIN SWALE SECTION



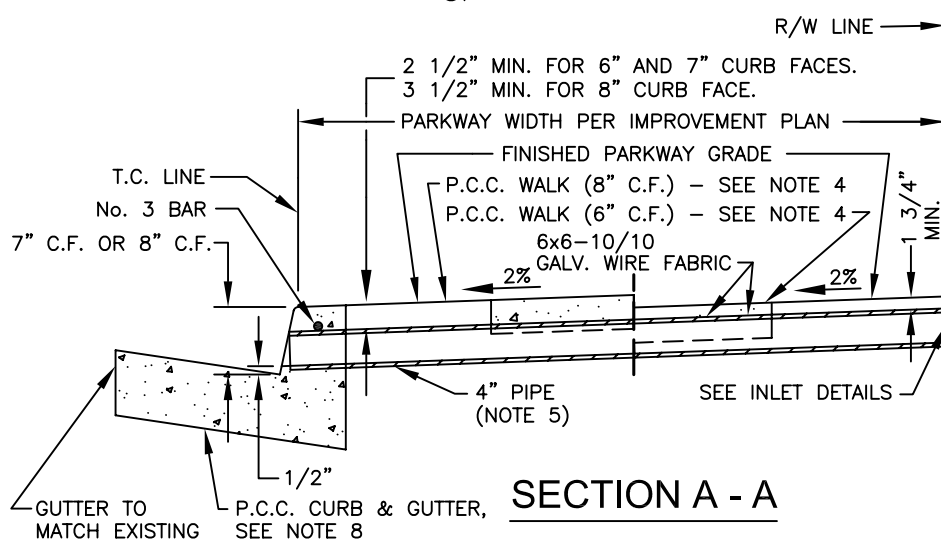
NOTE: APPLIES TO ANY NUMBER OF PIPES.


CURB PROFILE
8" CURB FACE



NOTE: APPLIES TO ANY NUMBER OF PIPES.
* NORMAL T.C. GRADE LINE AS SHOWN ON PROFILE.

CURB PROFILE
6" CURB FACE



RICHARD G. SWEET R.C.E. 44,213 EXP. 6/30/07		12/01/05	DATE			City of Santa Maria Standard Drawing	
REVISIONS		BY	APP	DATE		DESCRIPTION: SIDEWALK DRAIN - PIPE	
DRAWN BY: A.P.W.A.		DATE DRAWN: 1992		SCALE: NONE		SHEET 1 OF 2	