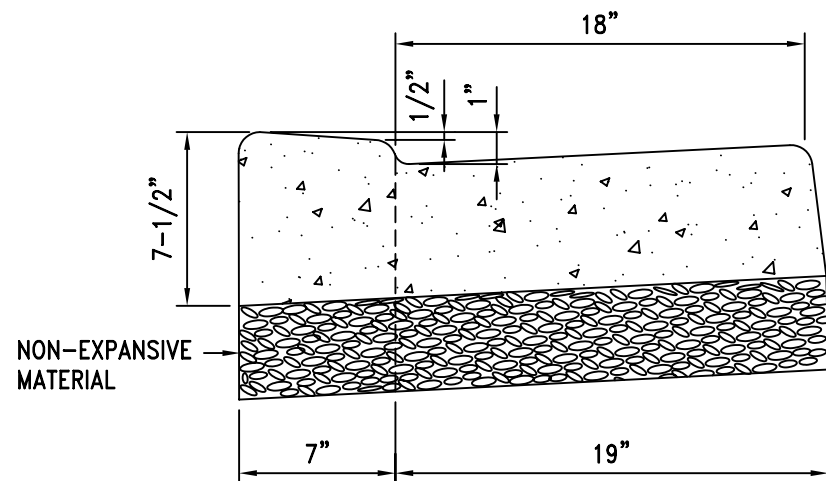


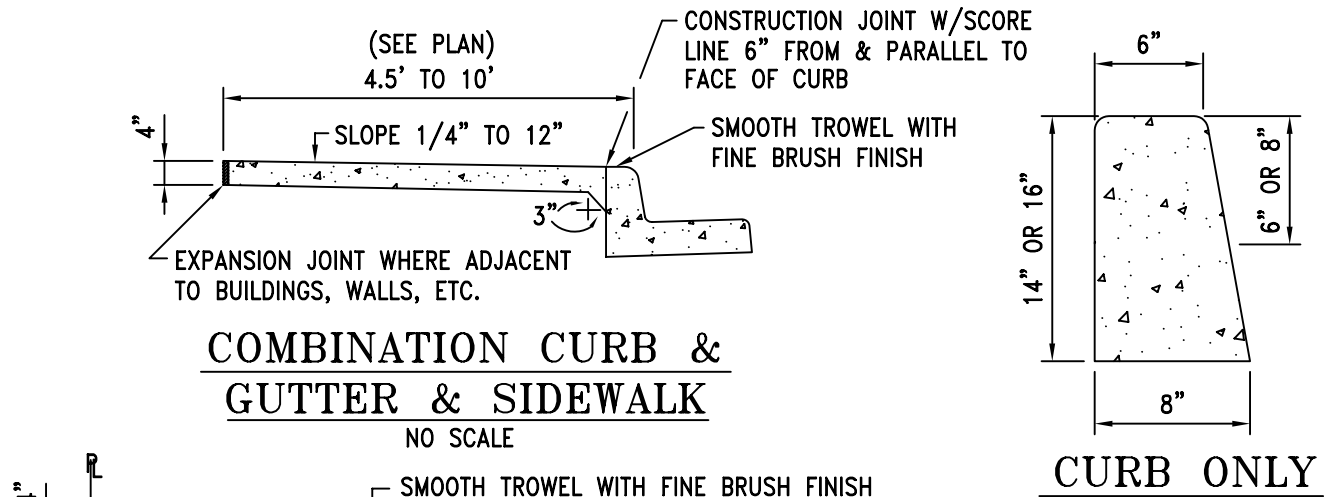
CURB & GUTTER

NO SCALE



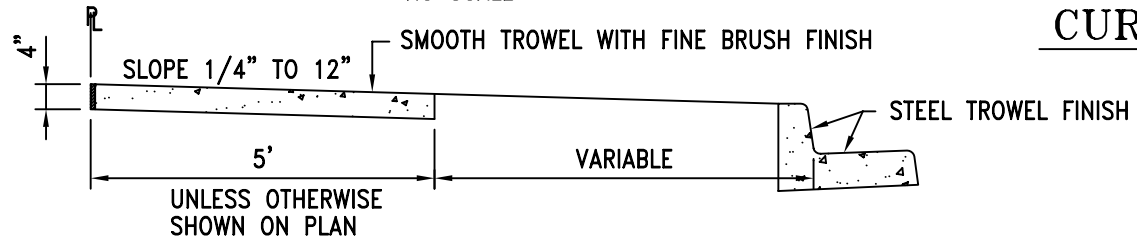
DEPRESSED CURB DETAIL

NO SCALE



COMBINATION CURB & GUTTER & SIDEWALK

NO SCALE



SIDEWALK & CURB & GUTTER

NO SCALE

GENERAL NOTES:

1. WORKMANSHIP AND MATERIALS SHALL COMPLY WITH CITY SPECIFICATION FOR CONCRETE CURB, GUTTER AND SIDEWALK.
2. CURING—USE APPROVED CURING COMPOUND.
3. EXPANSION JOINTS—3/8" FULL DEPTH PREMOLDED ASPHALTIC IMPREGNATED, EVENLY SPACED, NOT OVER 30' APART AT ALL CURB RETURNS, DRIVEWAY APRONS AND EXISTING WORK.
4. COLORING—USE 1 1/2 LBS. LAMPBLACK PER C.Y., INTEGRALLY MIXED.
5. FINISH—ALL EDGES, CORNERS AND ENDS SHALL HAVE 1/2" RADII.
6. SCORING—SEE STD. SPEC. FOR CONCRETE CURB, GUTTER AND SIDEWALK.
7. COMPACTION—RELATIVE DENSITY OF 90% UNDER SIDEWALKS. UNDER CURBS, GUTTERS AND DRIVEWAYS, 95%.
8. FOR ESTIMATING, 8" C.F. = 19 1/2 L.F./C.Y. CONCRETE AND 6" C.F. = 20 3/4 L.F./C.Y. CONCRETE.

RICHARD G. SWEET R.C.E. 44,213 EXP. 6/30/07		11/22/04	City of Santa Maria Standard Drawing	
REVISIONS		DATE	DESCRIPTION:	
		BY	APP	DATE
DRAWN BY: N.S.C.		DATE DRAWN: 2/68		SCALE: NONE
		Curb and GUTTER and/or SIDEWALK		STANDARD NUMBER RD-11
				SHEET 1 OF 1