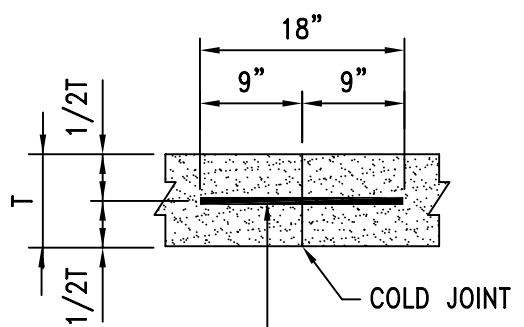


SECTION B-B

GENERAL NOTES



1. WORKMANSHIP AND MATERIALS SHALL COMPLY WITH CITY SPECIFICATION FOR MATERIALS AND THE CONSTRUCTION OF CONCRETE CURBS, GUTTERS, SIDEWALKS, DRIVEWAYS.
2. SUBGRADE COMPACTION - 95% AS MEASURED BY CALIFORNIA TEST METHOD 216 OR BY CALIBRATED NUCLEAR DENSITY INSTRUMENT.
3. SEE TABLE FOR VALUES OF GUTTER/SPANDREL THICKNESS (T) AND WIDTH (W) AND CURB RETURN RADIUS (R).

STREET DESIGNATION	T (MIN.)	W (MIN.)	R (MIN.)
PRIMARY ARTERIAL	8"	12'	35'
SECONDARY ARTERIAL	8"	12'	35'
COLLECTOR	6"	8'	27'
LOCAL	6"	6'	27'
MINOR	6"	6'	27'
DRIVEWAY	6"	6'	15'



5/8" DIA. SMOOTH SOLID STEEL DOWEL 18" LONG (ONE END WRAPPED WITH 6 MIL. VISQUEEN)

DETAIL C

 RICHARD G. SWEET R.C.E. 44,213 EXP. 6/30/07 REVISIONS		3/17/05 DATE BY APP DATE		City of Santa Maria Standard Drawing	
DESCRIPTION: CROSS GUTTER AND SPANDREL				STANDARD NUMBER RD-18	
DRAWN BY: J.H.		DATE DRAWN: 10/02	SCALE: NONE	SHEET 1 OF 2	