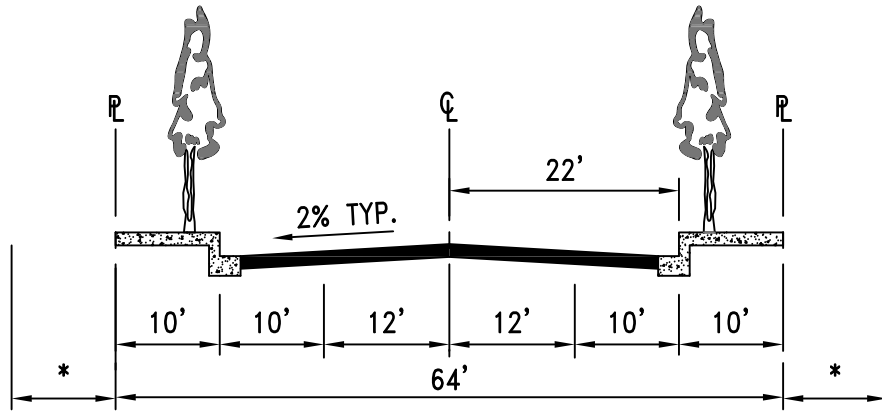
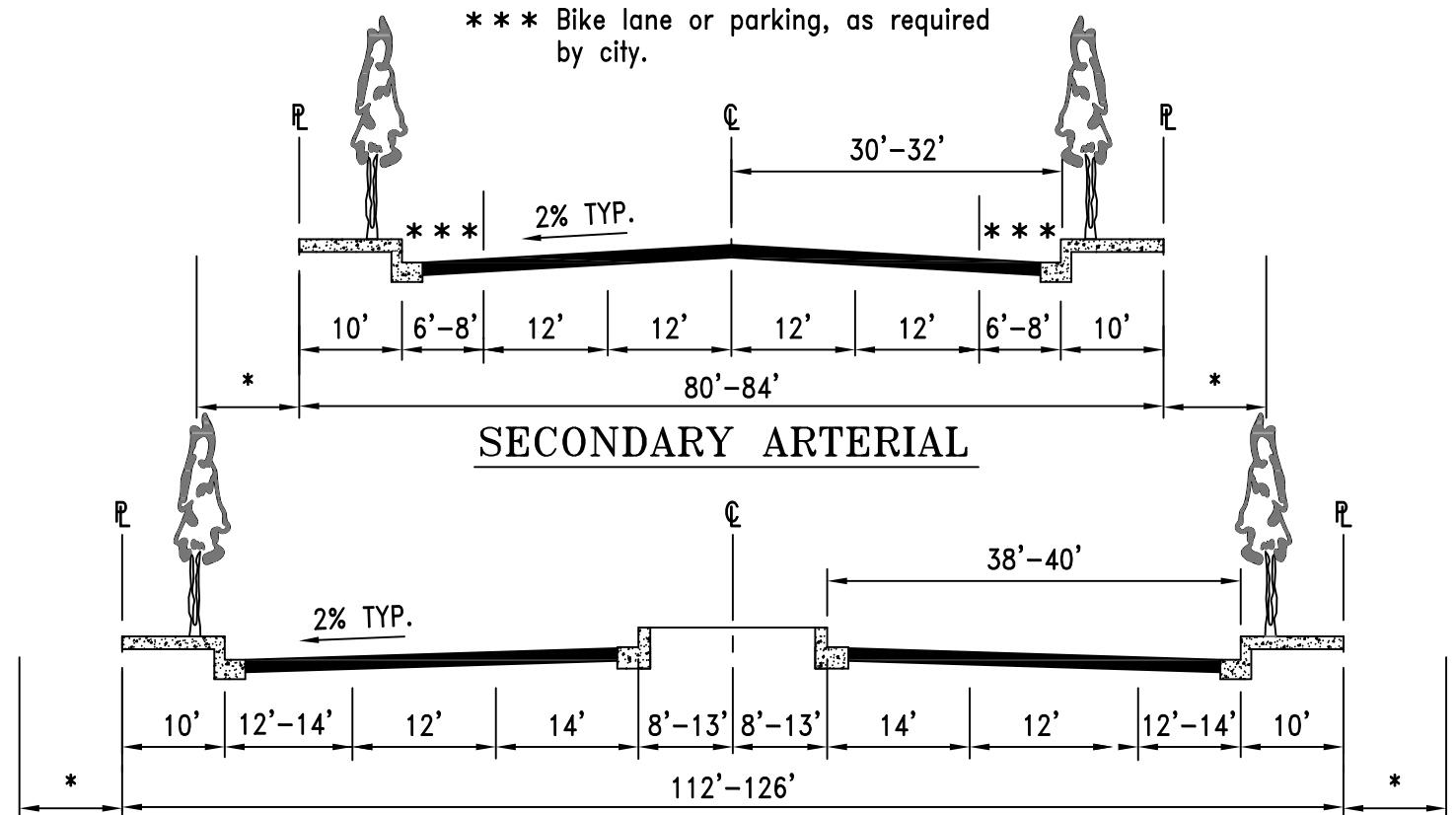


**B** \* 10' MIN. P.U.E. AND TREE EASEMENT



**LOCAL & COLLECTOR**



**PRIMARY ARTERIAL**

**GENERAL NOTES**

1. REFER TO CITY OF SANTA MARIA STANDARD SPECIFICATION FOR MATERIALS AND CONSTRUCTION OF A.C. PAVING & CHIP SEAL.
2. REFER TO CITY OF SANTA MARIA STANDARD SPECIFICATION FOR MATERIALS AND CONSTRUCTION OF CURB, GUTTER AND SIDEWALK.
3. ALL A.C. OVER 2" THICK SHALL BE PLACED IN TWO LIFTS. BASE COURSE(S) SHALL HAVE 3/4" AGGREGATE AND FINISH/SURFACE COURSE(S) SHALL HAVE 1/2" AGGREGATE.
4. FOR R VALVE LESS THAN 50, DESIGN FOR T.I. SHOWN USING CALIFORNIA DEPT. OF TRANSPORTATION DESIGN METHOD FOR FLEXIBLE PAVEMENT.
5. CHIP SEALING OF NEW PAVEMENTS MAY NOT COMMENCE UNTIL WRITTEN APPROVAL IS OBTAINED FROM THE CITY ENGINEER.

NOTE:  
CHIP SEAL COATING REQUIRED ON ALL PAVEMENT SECTIONS LISTED BELOW.  
CHIPS TO BE 1/4"x#10 @ 16#/S.Y. OVER ASPHALT EMULSION, CRS-2 @ 0.34 GAL./S.Y.

**COMMERCIAL STREET PAVEMENT DESIGN CRITERIA**

CLASSIFICATION	MINIMUM DESIGN T.I.	MINIMUM STRUCTURAL SECTIONS		
		CLASS II AGG. BASE	TYPE "B" ASPH. CONC.	TYPE "B" A.C. DEEP LIFT
LOCAL	6	6" WITH	3" OR	6"
COLLECTOR	6	6" WITH	3" OR	6"
SECONDARY ARTERIAL	7	7" WITH	3 1/2" OR	6 1/2"
PRIMARY ARTERIAL	7	7" WITH	3 1/2" OR	6 1/2"



RICHARD G. SWEET R.C.E. 44,213 EXP. 6/30/07		1/20/05 DATE			City of Santa Maria Standard Drawing		
REVISIONS		BY	APP		DATE	DESCRIPTION:	
A	REVISED NOTE 3.	JLH		12/06	COMMERCIAL STREET SECTION DESIGN		
B	ADD EASEMENT	CjP		6/08	STANDARD NUMBER		
DRAWN BY: H.P.		DATE DRAWN: 10/75		SCALE: NONE		RD-22B	
						SHEET 3 OF 4	