

CURVE DATA

R₁ RADIUS = 50'-PS
 CURB RADIUS = 50'
 Δ2S = VARIES

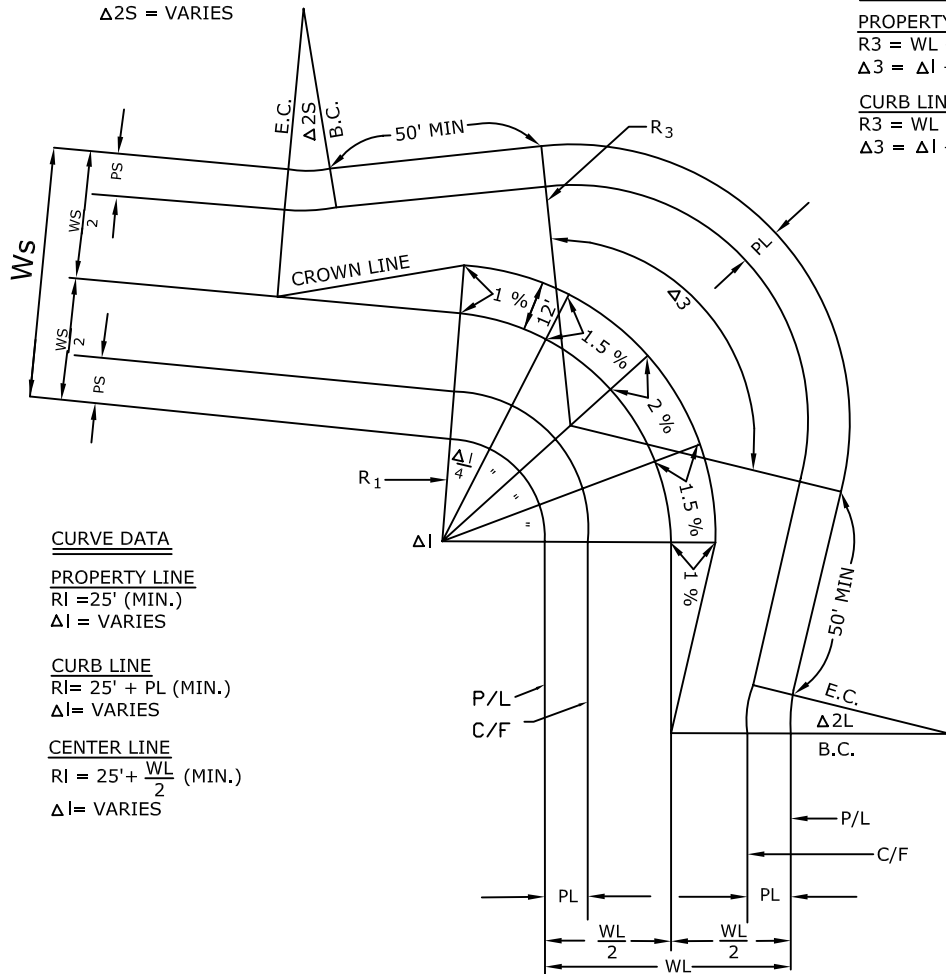
CURVE DATA

PROPERTY LINE

R3 = WL + 10'
 Δ3 = Δ1 + Δ2S + Δ2L

CURB LINE

R3 = WL + 10' - PL
 Δ3 = Δ1 + Δ2S + Δ2L



CURVE DATA

PROPERTY LINE

RI = 25' (MIN.)
 Δ1 = VARIES

CURB LINE

RI = 25' + PL (MIN.)
 Δ1 = VARIES

CENTER LINE

RI = 25' + $\frac{WL}{2}$ (MIN.)
 Δ1 = VARIES

CURVE DATA

R₁ RADIUS = 50' - PL
 CURB RADIUS = 50'
 Δ2L = VARIES

NOTES

1. USE NORMAL SECTION FROM INNER CURB TO CENTER LINE.
2. FROM CROWN LINE TO OUTER CURB THE MAXIMUM SLOPE IS 1" PER FOOT.
3. SUBSCRIPTS "S" AND "L" DENOTES SMALLER & LARGER STREETS.
4. SUPERELEVATION PERCENTAGES SHOWN ARE STRAIGHT FROM CL TO CROWN.
5. ELEVATIONS ARE REQUIRED WHERE CIRCLED .
6. A SPECIFIC DEPARTURE FROM THIS PLAN MAY BE OBTAINED BY SPECIAL PERMISSION.

RICHARD G. SWEET		R.C.E. 44,213 EXP. 6/30/07		3/17/05		DATE	
REVISIONS		BY	APP	DATE		DESCRIPTION:	
						KNUCKLE	
DRAWN BY: MK		DATE DRAWN: 12/75		SCALE: NONE		STANDARD NUMBER RD-24	
						SHEET 1 OF 1	



City of Santa Maria
 Standard Drawing