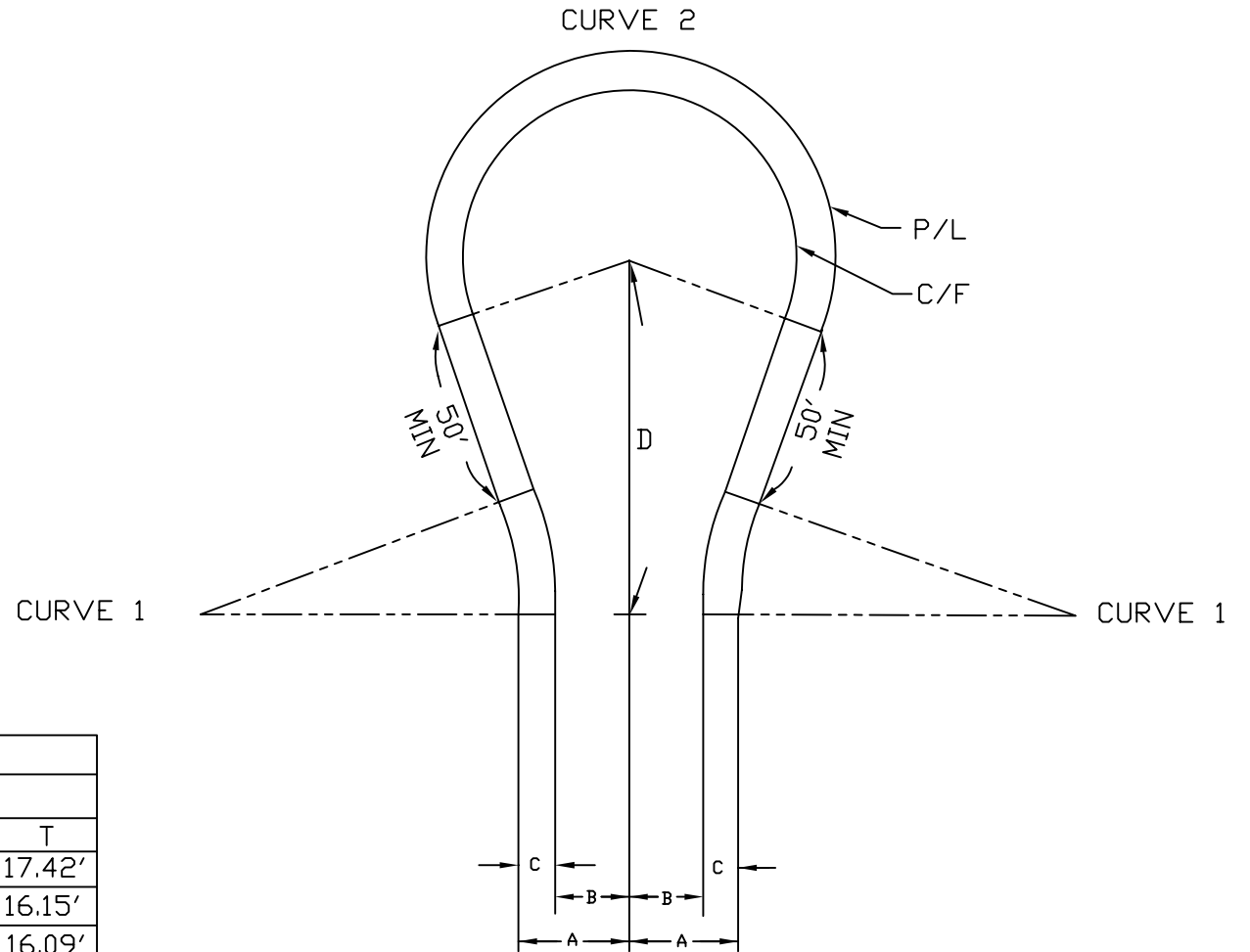




CURVE 2									
R/W	A	B	C	D	Δ	CURB FACE		P/L	
						R	L	R	L
45'	22.5'	18'	4.5'	97.98'	221° 21' 36"	45'	173.86'	49.5'	191.24'
52'	26'	20'	6'	95.52'	218° 59' 28"	45'	172.00'	51'	194.93'
56'	28'	22'	6'	96.05'	218° 51' 16"	47'	179.53'	53'	202.45'

CURVE 1											
R/W	A	B	C	D	Δ	CURB FACE			P/L		
						R	L	T	R	L	T
45'	22.5'	18'	4.5'	97.98'	20° 40' 48"	100'	36.09'	18.25'	95.5'	34.47'	17.42'
52'	26'	20'	6'	95.52'	19° 29' 44"	100'	34.03'	17.18'	94'	31.98'	16.15'
56'	28'	22'	6'	96.05'	19° 25' 38"	100'	33.91'	17.12'	94'	31.87'	16.09'



 RICHARD G. SWEET R.C.E. 44,213 EXP. 6/30/07		3/17/05 DATE			City of Santa Maria Standard Drawing	
REVISIONS		BY APP DATE			DESCRIPTION: CUL-DE-SAC	
DRAWN BY: MK		DATE DRAWN: 12/75		SCALE: NONE		
				STANDARD NUMBER RD-25		
				SHEET 1 OF 1		