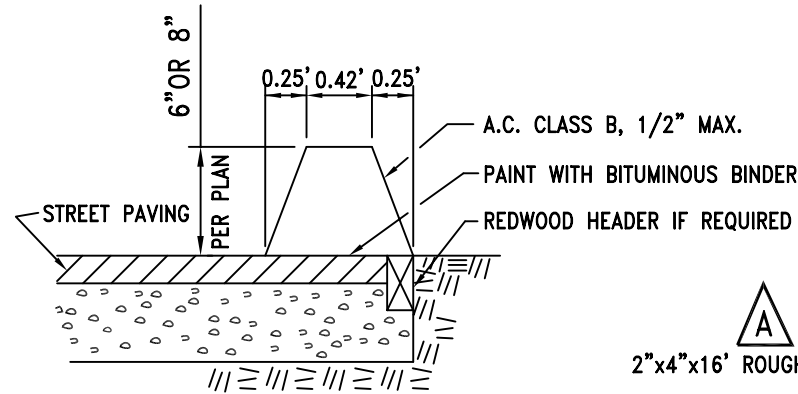


SHOULDER BACKING DETAIL

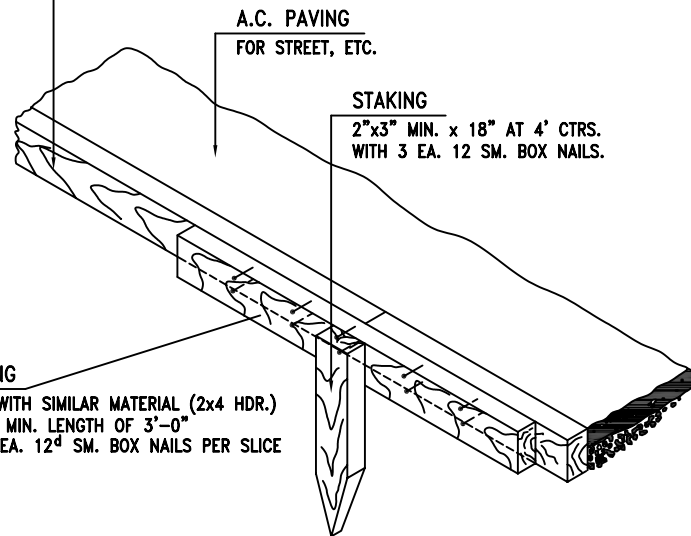


EXTRUDED A.C. BERM DETAIL

SCALE- 1"=1'-0"

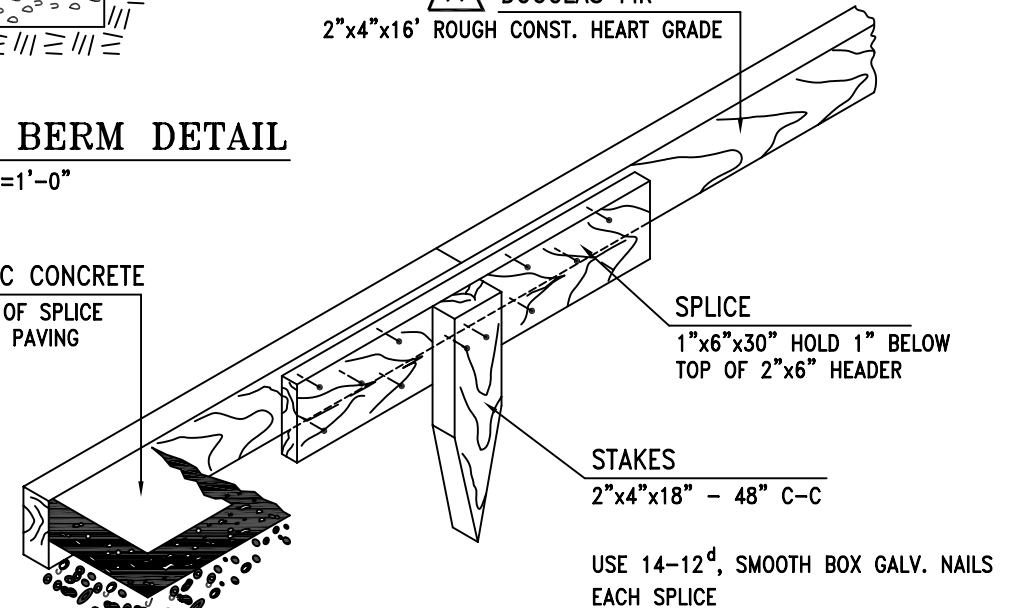
A REDWOOD HEADER OR PRESSURE TREATED DOUGLAS FIR
2"x4"x16' ROUGH CONST. HEART GRADE

A REDWOOD OR PRESSURE TREATED DOUGLASS FIR HEADER
2"x4"x16" ROUGH CONST. HEART GRADE
SET TOP TO FINISH PAVING GRADE.




WOOD HEADER SPLICE AND DETAIL
STREET

ASPHALTIC CONCRETE
THIS SIDE OF SPLICE
FOR ALLEY PAVING



NOTE: USE 2"x4" HEADER UNLESS 2"x6" SPECIFIED.

WOOD HEADER SPLICE AND DETAIL
ALLEY

RICHARD G. SWEET R.C.E. 44,213 EXP. 6/30/07		DATE 1/20/05			City of Santa Maria Standard Drawing	
REVISIONS		BY	APP		DATE	DESCRIPTION:
A	REVISIONS AS NOTED	JLH		12/06	A PAVEMENT HEADER AND A.C. BERM	
DRAWN BY: P.R.		DATE DRAWN: 12/68		SCALE: NONE		STANDARD NUMBER RD-36A
						SHEET 1 OF 1