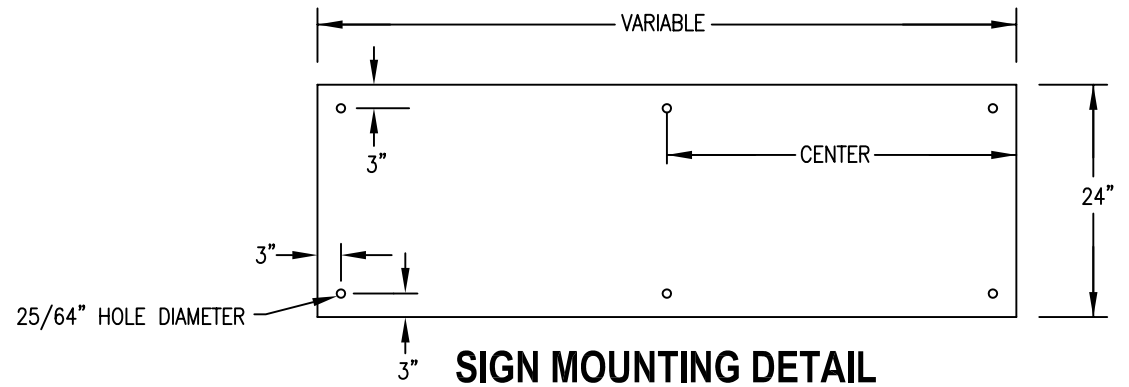
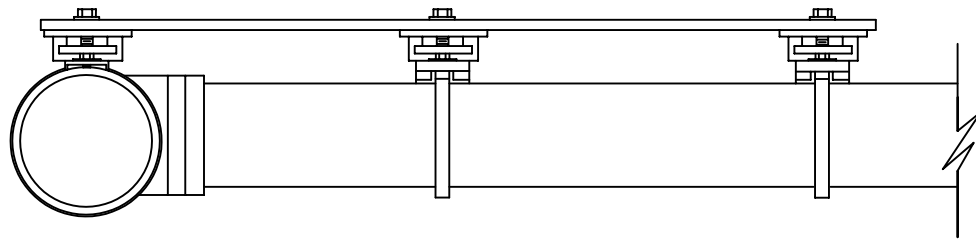


BRACKET DETAIL



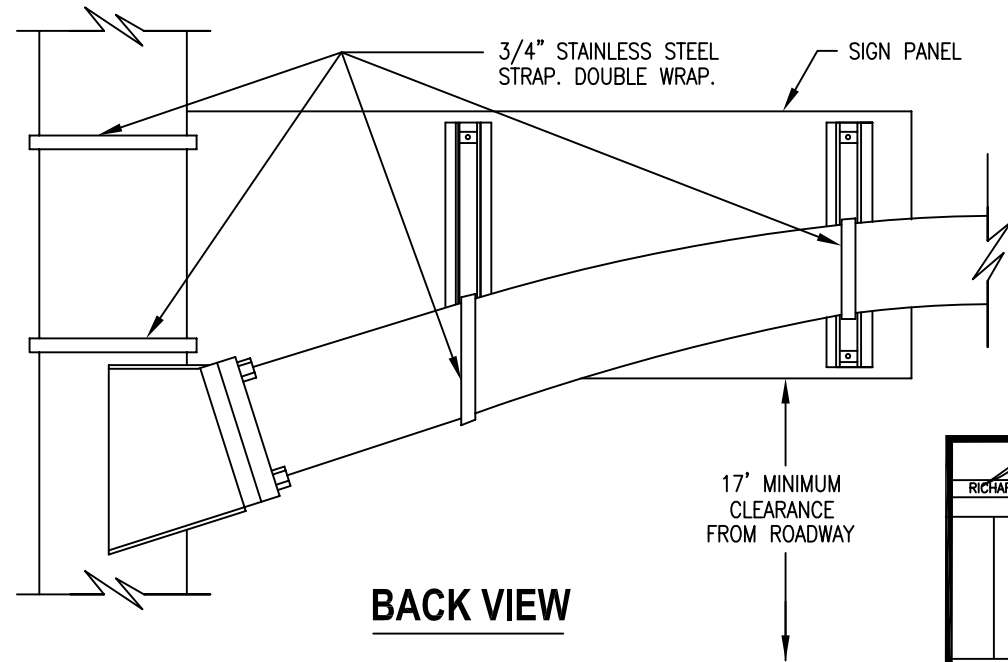
SIGN MOUNTING DETAIL



TOP VIEW

SIGN SIZE (INCHES)	DIMENSIONS (INCHES)						
	A	B	C	D	E	F	G
VAR x 24	24	3/4	1-1/4	3	8	8&6E(M)	10

COLORS
 BORDER & LEGEND BACKGROUND REFLECTIVE
 A.S.T.M. TYPE XI SHEETING
 REFLECTIVE A.S.T.M. TYPE XI SHEETING




BACK VIEW



SIGN DETAIL

17' MINIMUM CLEARANCE FROM ROADWAY

RICHARD G. SWEET R.C.E. 44213 EXP. 6/30/07 REVISIONS		6/12/06 DATE		City of Santa Maria Standard Drawing	
DRAWN BY: M.K.		DATE DRAWN: 4/06		DESCRIPTION: TRAFFIC SIGNAL/ STREET NAME SIGN	
SCALE: NONE			SHEET 1 OF 1		