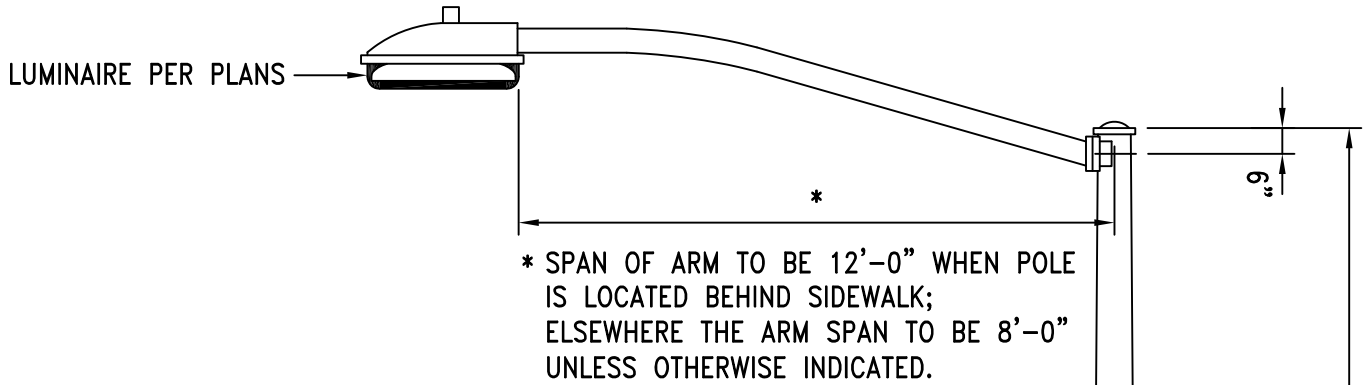


LUMINAIRE

1. SEE PLAN FOR WATTAGE AND DISTRIBUTION TYPE.
2. 240 VOLT SERVICE.
3. 240 VOLT PHOTOCCELL - ORIENT FACING NORTH.
4. BASE TO FIXTURE WIRE # 10 THHN., COPPER, STRANDED ONLY.
5. SERVICE WIRE # 6 THHN/THWN., COPPER (MINIMUM SIZE).
6. GENERATOR - 240 VOLT H.P.F.
7. LAMP - INDUCTION; PER APPROVED MANUFACTURER'S SUBMITTAL INFORMATION.
8. FIXTURE - CAST ALUMINUM WITH SEALED OPTICAL ASSEMBLY WITH INDUCTION LUMINAIRE PER APPROVED MANUFACTURER'S SUBMITTAL INFORMATION.

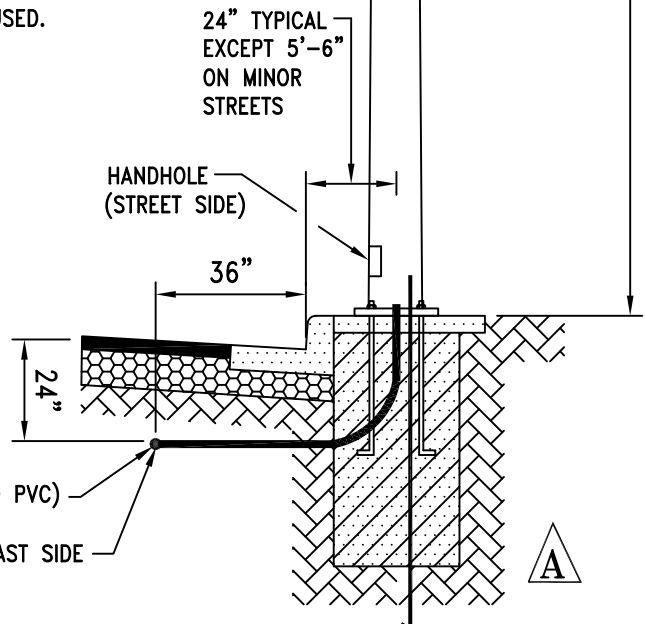
A



GENERAL NOTES

1. INSTALLATION IS PURSUANT STANDARD SPECIFICATIONS FOR MATERIALS AND INSTALLATION OF STREET LIGHTS AND ALLEY LIGHTS.
2. STANDARD DIMENSIONS UNLESS OTHERWISE INDICATED ON IMPROVEMENT PLANS.
3. POLES AND TENON SHALL BE CONSTRUCTED PER CALTRANS STANDARD PLANS AND SPECIFICATIONS FOR TYPE 15 LIGHTING STANDARDS.
4. ALL DIMENSIONS AND DETAILS HEREON SHALL SUPERSEDE THOSE SHOWN ON THE CALTRANS STANDARD PLANS LISTED IN NOTE-2.
5. MAST ARMS TO HAVE A 1/2" ENTRANCE HOLE WITH NYLON GROMMET TO FACILITATE OVERHEAD WIRING.
6. THERE SHALL BE A 5'-0" MINIMUM CLEARANCE FROM A DRIVEWAY OPENING, CURB RETURN, HANDICAP RAMP.
7. POLE TO BE ROUND TAPERED STEEL SHAFT - 11 GAUGE - 8" x 4" ALL GALVANIZED MINIMUM YIELD STRENGTH 48,000 PSI AFTER FABRICATION.
8. APPLY OXIDATION INHIBITOR TO ALL BOLTS.
9. FOR LOCATIONS ON STATE HIGHWAYS, CALTRANS STANDARD PLAN ES-11 (LATEST REVISION) SHALL BE USED.

A



STANDARD LOCATION ON NORTH OR EAST SIDE OF STREET

A

DRAWN BY: J.W.	DATE DRAWN: 2/97	SCALE: NONE	SHEET 1 OF 7		RICHARD G. SWEET R.O.E. 44,213 EXP. 6/30/07 REVISIONS A STS/FACIL. REVISION CJP 2/11	3/17/05 DATE BY APP DATE	DESCRIPTION: STREET LIGHT WITH UNDERGROUND SERVICE SL-11A	STANDARD NUMBER SL-11A
					City of Santa Maria Standard Drawing	DESCRIPTION: STREET LIGHT WITH UNDERGROUND SERVICE SL-11A	STANDARD NUMBER SL-11A	