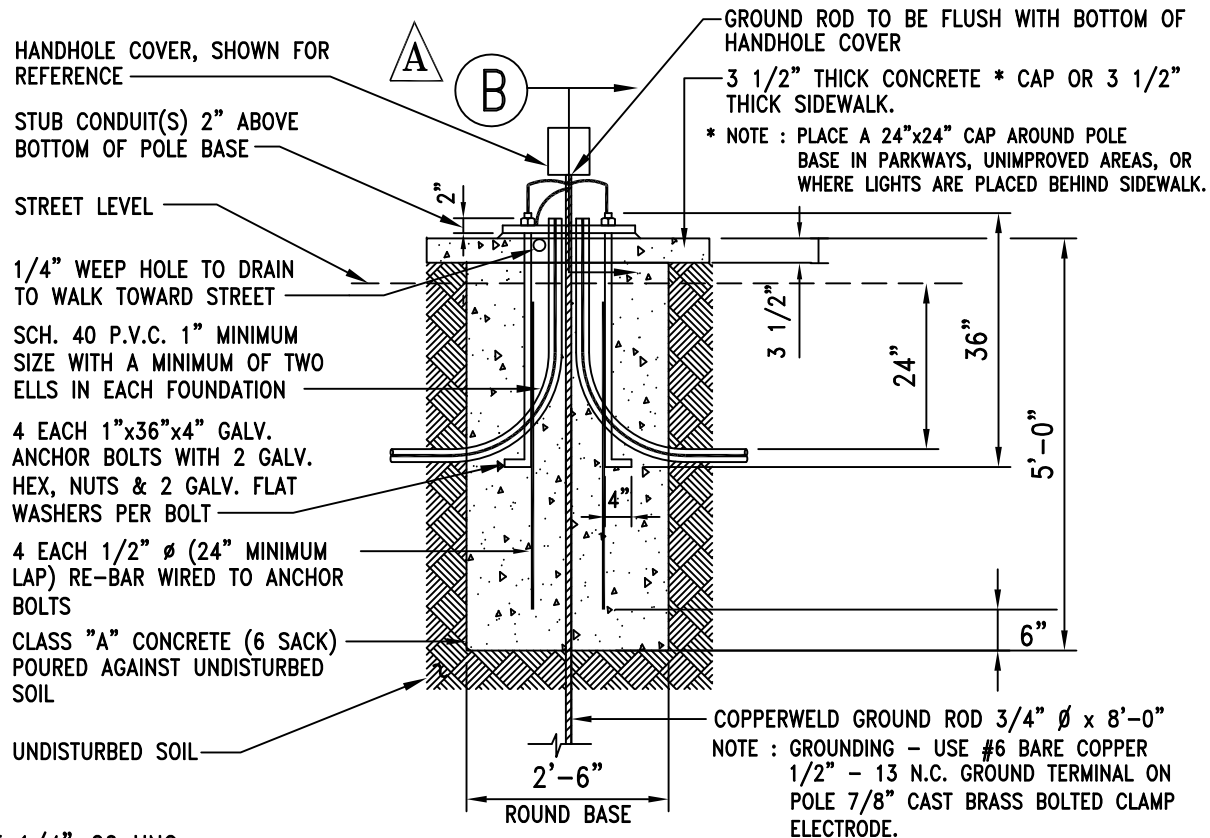
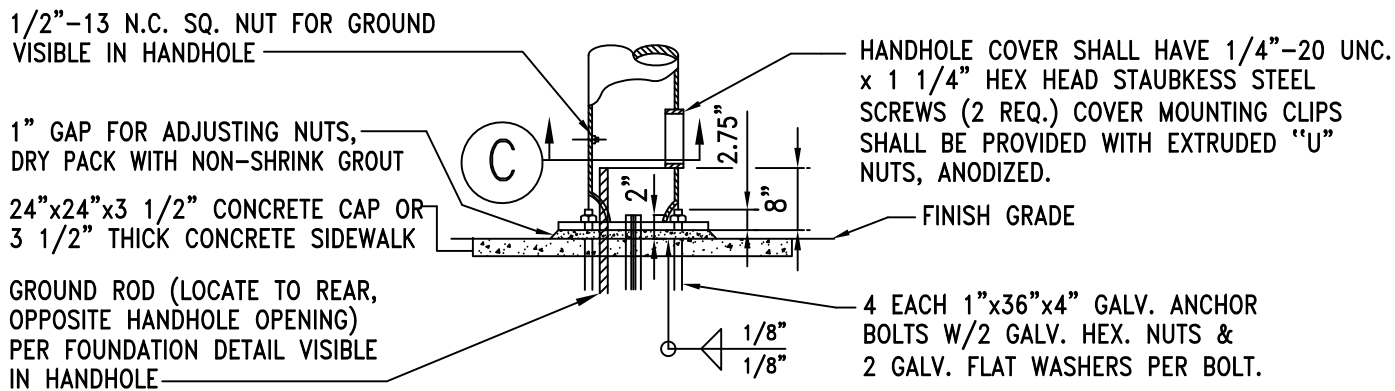


**C PLAN VIEW OF BASE DETAIL**  
SCALE : NONE




**A FOUNDATION DETAIL**  
NOT TO SCALE



**B SECTION DETAIL OF BASE**  
NOT TO SCALE

2" - TOP OF HOLD DOWN NUT TO FINISH GRADE.  
2.75" - BOTTOM OF BASE TO TOP OF ANCHOR BOLT.

RICHARD G. SWEET R.C.E. 44,213 EXP. 6/30/07		3/17/05		DATE		 <b>City of Santa Maria</b> Standard Drawing	
REVISIONS		BY	APP	DATE			
A	DELETE OLD DWG. No's.	CjP		2/11		DESCRIPTION:	
						BASE AND FOUNDATION DETAILS	
						STREET LIGHT WITH UNDERGROUND SERVICE	
						STANDARD NUMBER	
						SL-12A	
DRAWN BY: J.W.		DATE DRAWN: 2/97		SCALE: NONE		SHEET 2 OF 7	