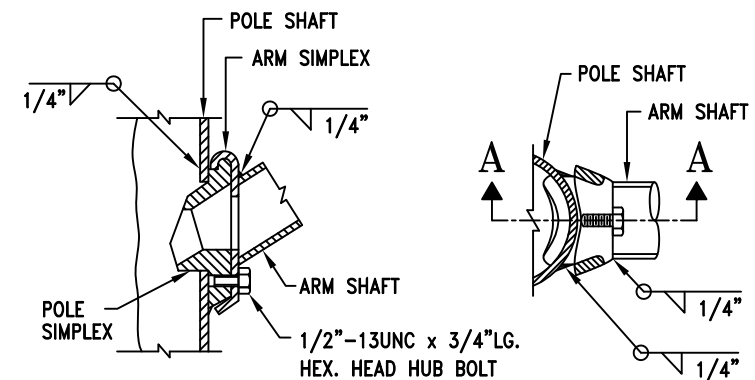


BASE DETAIL

GENERAL NOTES :

- A** 1. LUMINAIRE TO BE INDUCTION TYPE PER APPROVED MANUFACTURER'S SUBMITTAL INFORMATION.
- 2. HOUSING TO BE ALUMINUM WITH SEALED OPTICAL ASSEMBLY.
- 3. GENERATOR AND PHOTO CELL TO OPERATE ON 240 VOLTS.
- 4. MAST ARM - 2.375 O.D.x 0.154 TUBE, 36 K.S.I. MIN. YIELD STRENGTH, 7" RISE, ALL GALVANIZED.
- A** 5. BASE TO FIXTURE WIRE #10 THHN/THWN STRANDED COPPER.
- 6. SERVICE WIRE # 6THW. STRANDED COPPER (MINIMUM SIZE).
- 7. CONTRACTOR SHALL PAY CONNECTION FEES AND SERVICE EXTENSION COSTS.



SECTION "A-A"

ARM ATTACHMENT DETAIL

RICHARD G. SWEET R.C.E. 44,213 EXP. 6/30/07		7/18/05		DATE		City of Santa Maria Standard Drawing	
REVISIONS		BY	APP	DATE		DESCRIPTION:	
A	STS./FACIL REVISIONS	CjP		2/11		ALLEY LIGHT INSTALLATION	
DRAWN BY: MK						DATE DRAWN: 4/84	
SCALE: NONE						SHEET 1 OF 1	
STANDARD NUMBER						SL-18A	