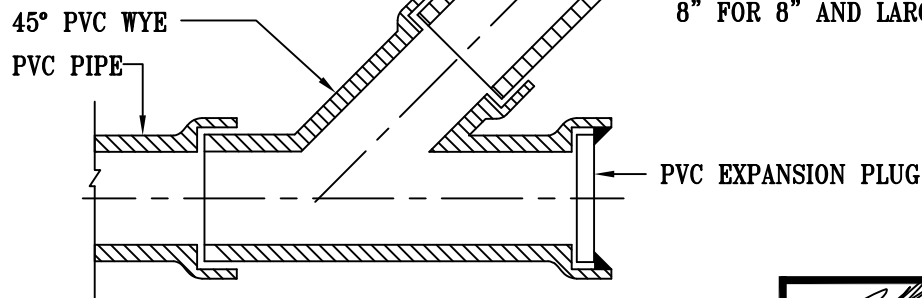
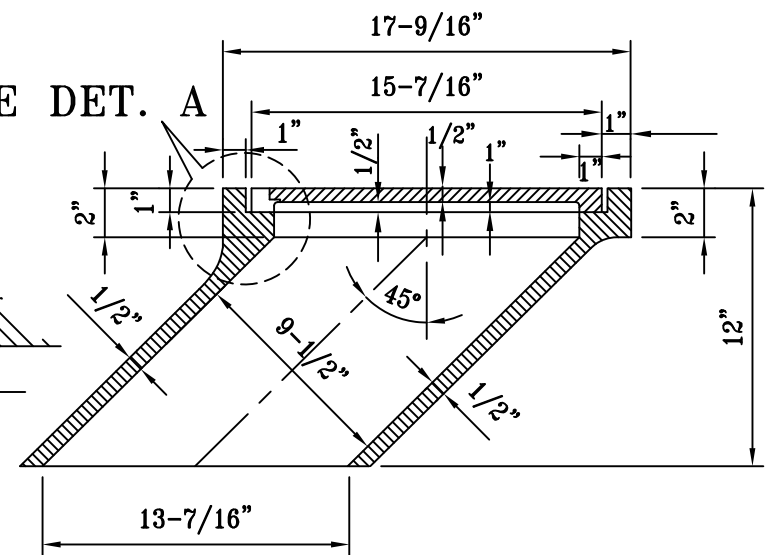
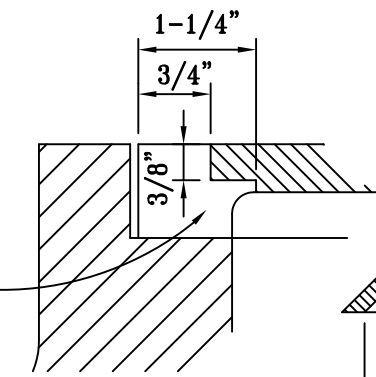


GENERAL NOTES :


1. INSTALLATION SHALL BE IN COMPLIANCE WITH CITY STANDARD SPECIFICATION FOR MATERIALS AND INSTALLATION OF SANITARY SEWER PIPELINES.
2. CONCRETE SHALL BE CLASS A (6 SACK)
3. CLEAN-OUT FRAME AND COVER SHALL BE ALHAMBRA A-1247 OR EQUAL.
4. FRAME TO BE SET TO FINAL GRADE ONLY AFTER PAVEMENT HAS BEEN INSTALLED.
5. JOINT SEALANT TO BE SANDELL MANUFACTURING CO. "POLY-TITE" OR EQUAL.



SEE DET. A



▲ INSTALL RAP-O MANHOLE COVER CUSHION AROUND BOX LID BY MUNICIPAL SERVICES INC.; 420 BOSTON TURNPIKE; SHREWSBURY MASS.; 01545 OR APPROVED EQUAL.

RICHARD C. SWEET R.C.E. 44,213 EXP. 6/30/07		DATE 1/20/05			City of Santa Maria Standard Drawing	
REVISIONS		BY	APP		DATE	DESCRIPTION:
A	REVISION INDICATED	MK		8/06	SEWER CLEAN-OUT DETAIL	SS-12B
B	UTILITY DEPT. REVISIONS	CJP		7/08		
DRAWN BY: H.P.		DATE DRAWN: 10/69		SCALE: NONE		SHEET 1 OF 1