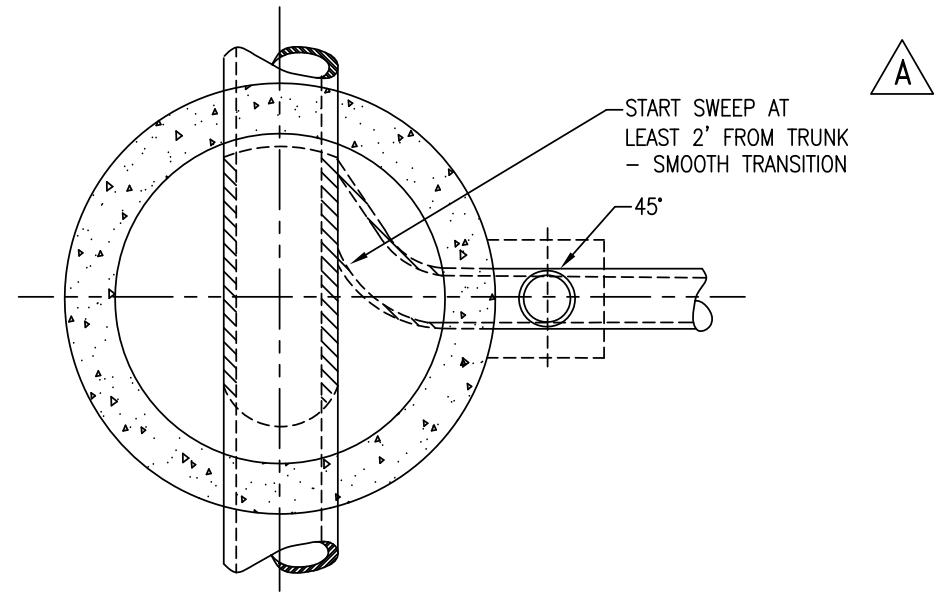


DROP MANHOLE SECTION  
NO SCALE




DROP MANHOLE SECTION PLAN  
NO SCALE

NOTES :

1. DROP MANHOLE CONSTRUCTION REQUIRED WHERE FLOWLINE(S) ARE SEPARATED BY 2.0 FEET OR MORE.
2. FOR DETAILS AND DIMENSIONS, SEE CITY OF SANTA MARIA STANDARD DRAWING FOR MANHOLE & DETAILS. FOR PIPE SIZES, SEE IMPROVEMENT PLANS. INSTALLATIONS PER CITY STD. SPEC FOR MATERIALS AND INSTALLATION OF SANITARY SEWERS.
3. INVERT OF ENTERING SEWER LINE TO MAIN / TRUNK SHALL BE ABOVE SPRING LINE OF MAIN / TRUNK.



RICHARD C. SWEET R.C.E. 44,213 EXP. 6/30/07		DATE 3/17/05			<b>City of Santa Maria Standard Drawing</b>	
REVISIONS		BY	APP		DATE	DESCRIPTION:
A	UTILITY DEPARTMENT REVISIONS	CJP		6/23/08		SS-13A
DRAWN BY: H.P.		DATE DRAWN: 12/72		SCALE: NONE		SHEET 1 OF 1