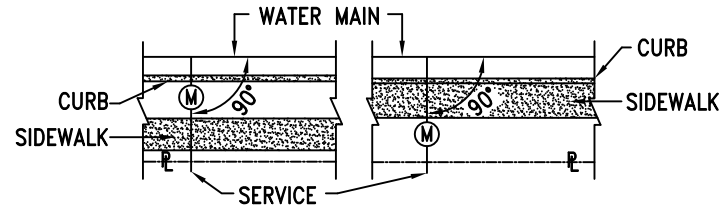
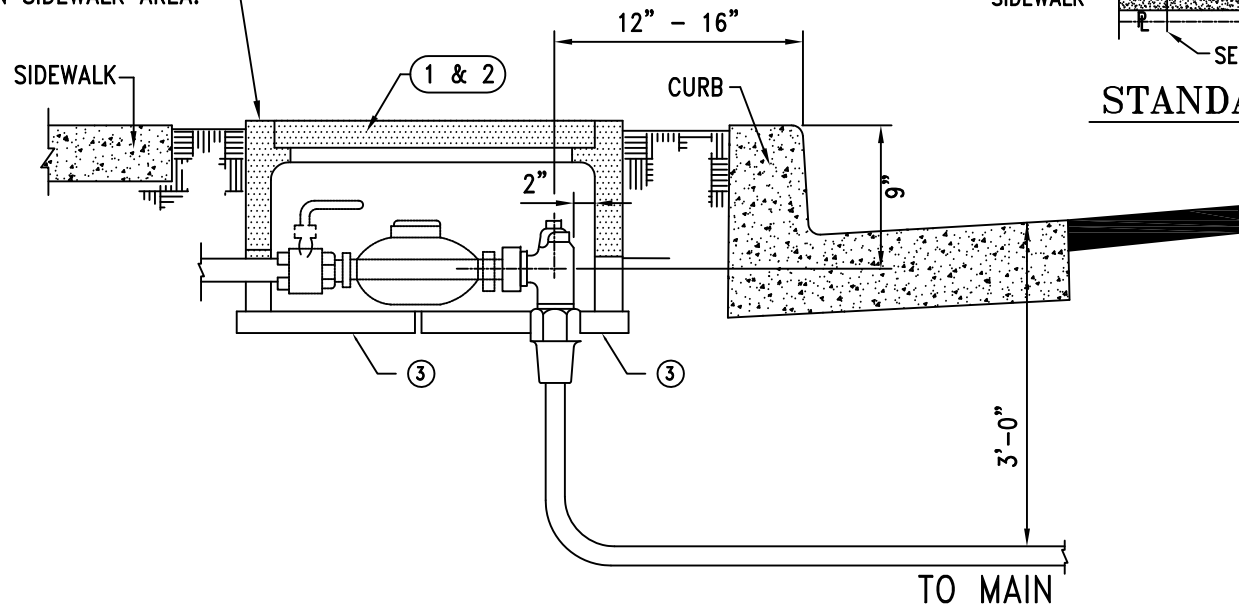


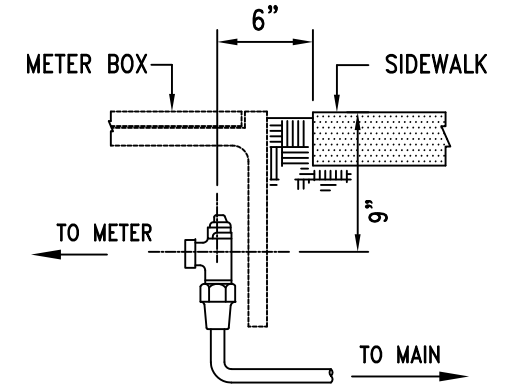
TOP OF METER BOX TO BE 3/4" ABOVE FINISH GRADE IN PARKWAYS, AND FLUSH WITH SURFACE OF SIDEWALKS, IN SIDEWALK AREA.



STANDARD

ALTERNATE

WHEN APPROVED BY
DEPT. OF PUBLIC WORKS.




**ALTERNATE - IF WALK CONTIGUOUS
WITH CURB NO SCALE**

GENERAL NOTES:

1. SEE WATER SERVICE STANDARD DRAWINGS FROM MAIN TO PROPERTY LINE. COORDINATE INSTALLATION WITH CITY DEPT. OF PUBLIC WORKS, SO METER BOX CAN BE SET TO FINAL GRADE.
2. COMPLY WITH CITY OF SANTA MARIA STANDARD SPECIFICATION FOR MATERIALS & INSTALLATION OF WATER MAINS.

- ① METER BOX BROOKS No. 37 FOR 5/8" & 1" METERS, BROOKS No. 38 FOR 1 1/2" METER, AND BROOKS No. 65 FOR 2" METERS. FOR METERS PROVIDING DOMESTIC AND FIRE SPRINKLER SERVICE, SEE WA-16.
- ② USE ONE-PIECE METAL LID FOR TRAFFIC CONDITIONS, USE ONE-PIECE FIBER LITE OR OTHER APPROVED LIGHTWEIGHT MATERIAL FOR ALL OTHER CONDITIONS; INCLUDE PROBE HOLE ON ALL LIDS AND MARKED "WATER".
- ③ COMMON BRICK ONE ROW, PLACED FULL LENGTH AND UNDER BOX WALLS ONLY FOR 5/8"x3/4", 1" AND 1 1/2" METERS; THREE ROWS OF BRICKS REQUIRED FOR 2" METERS.

RICHARD G. SWEET R.C.E. 44,213 EXP. 6/30/07		11/22/04		DATE				City of Santa Maria Standard Drawing	
REVISIONS		BY	APP	DATE	DESCRIPTION:				
NEW STD. No. ASSIGNED		CjP		6/1/12	WATER METER BOX (UP TO 2" METER)		STANDARD NUMBER WA-15		
DRAWN BY: R.L.B.		DATE DRAWN: 11/66		SCALE: NONE		SHEET 1 OF 1			