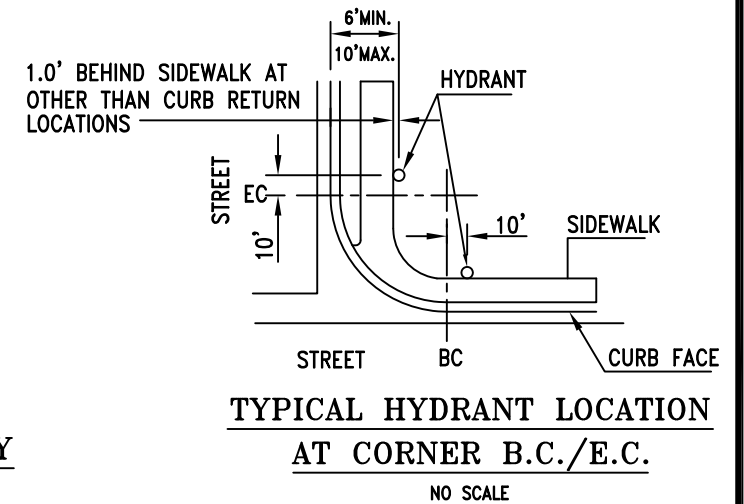
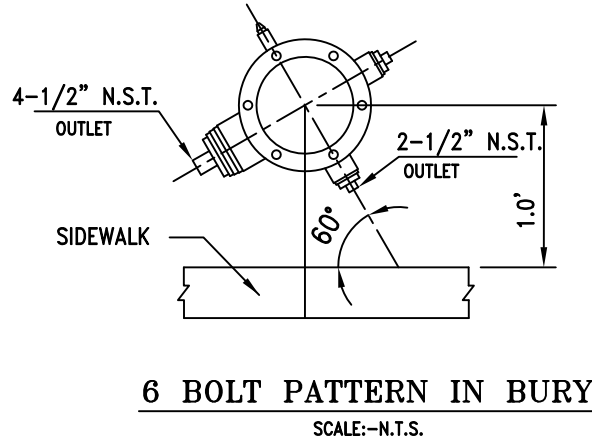
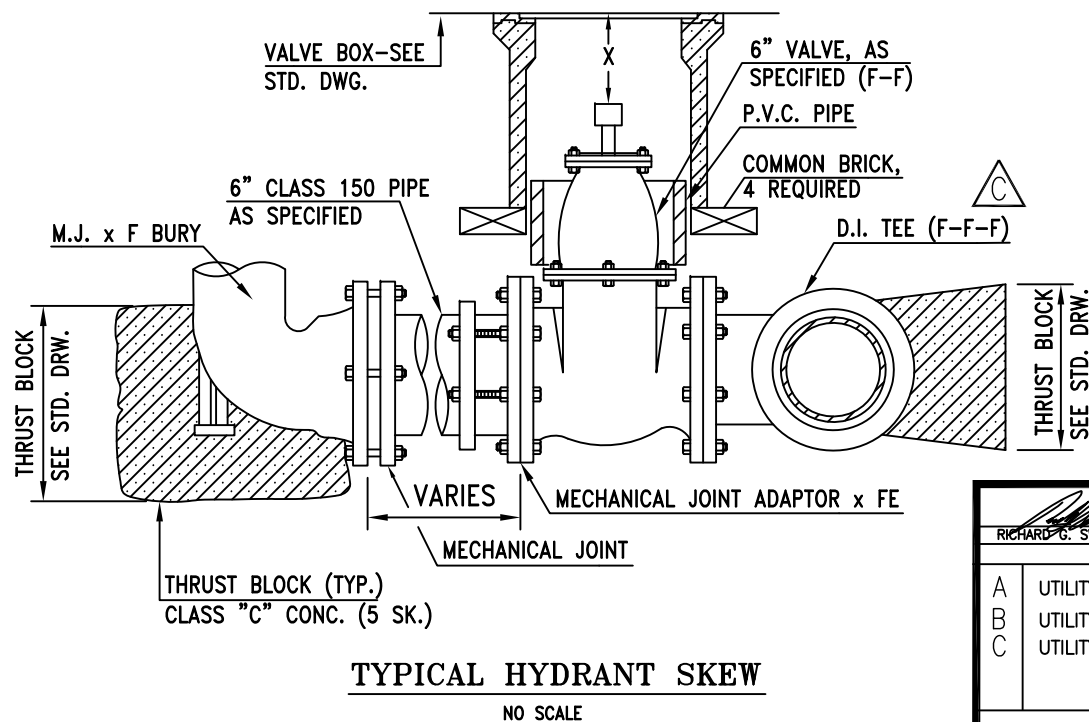


- NOTES:**
1. THREADS ON THE 4 1/2" & 2 1/2" OUTLETS SHALL BE LUBRICATED W/ "NEVER SEEZ" ANTISEIZE & LUBRICATING COMPOUND AS MANUFACTURED BY NEVER SEEZ COMPOUND CORP. OR APPROVED EQUAL.
 2. SEE STANDARD DRAWING FOR FIRE HYDRANT PROTECTION ASSEMBLY.
 3. WHEN DIMENSION "X" EXCEEDS 48", SEE STANDARD DRAWING FOR VALVE STEM EXTENSION.
 4. BC & EC LOCATIONS ARE RESERVED FOR STREET SIGNS.
 5. INTEGRAL MECHANICAL JOINTS ON FITTINGS ARE ACCEPTABLE.
 6. BREAK-AWAY BOLTS ONLY WHERE INDICATED.



RICHARD G. SWEET R.C.E. 44,213 EXP. 6/30/07		11/22/04	
REVISIONS		DATE	BY APP DATE
A	UTILITY DEPARTMENT REVISIONS	CjP	6/23/08
B	UTILITY DEPARTMENT REVISIONS	CjP	12/31/11
C	UTILITY DEPARTMENT REVISIONS	CjP	11/15/11
DRAWN BY: GEF		DATE DRAWN: 11/87	



City of Santa Maria
Standard Drawing

DESCRIPTION:
**6" FIRE HYDRANT
INSTALLATION**

STANDARD NUMBER
WA-19C