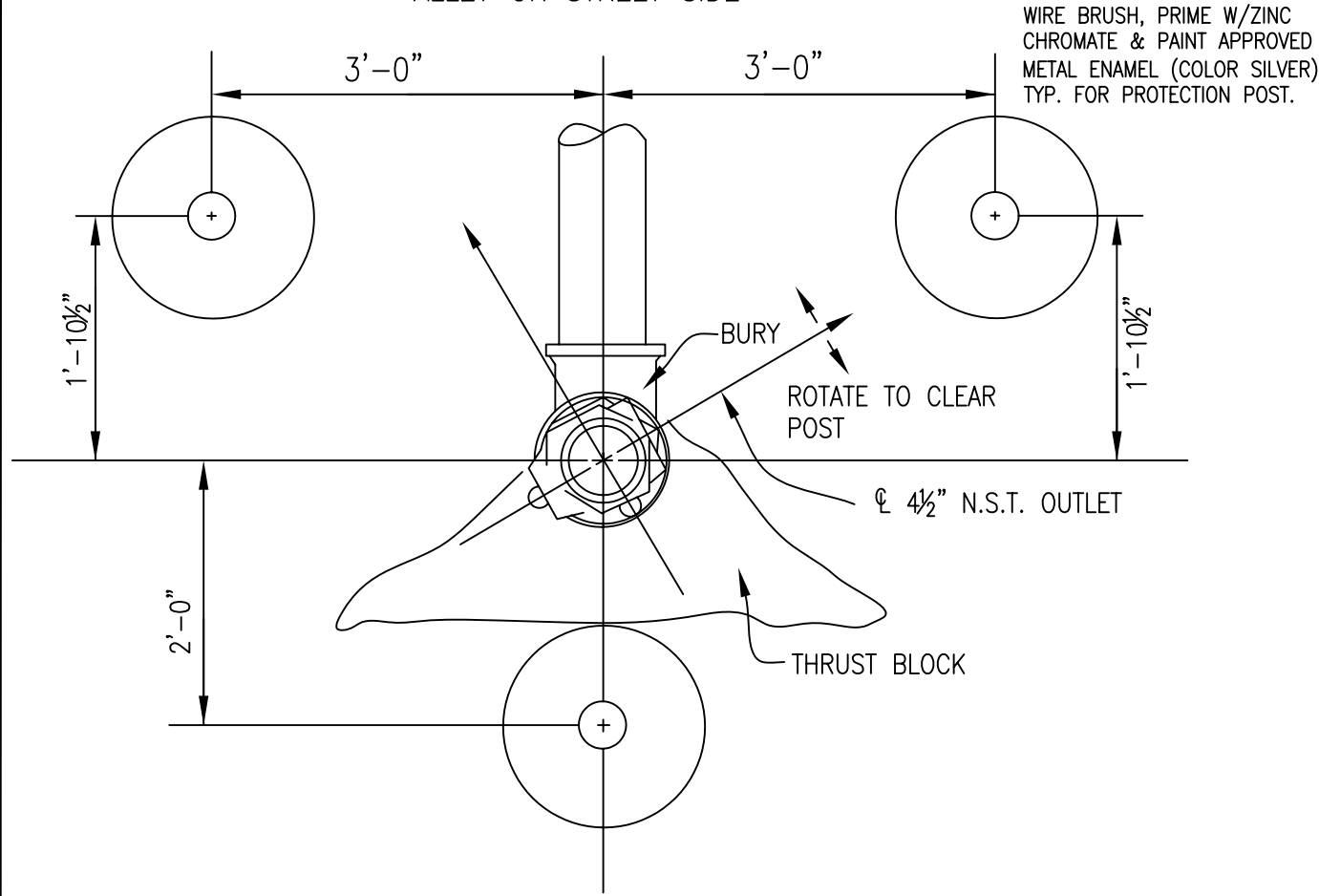


ALLEY OR STREET SIDE



PLAN
SCALE $\frac{3}{4}'' = 1'-0''$

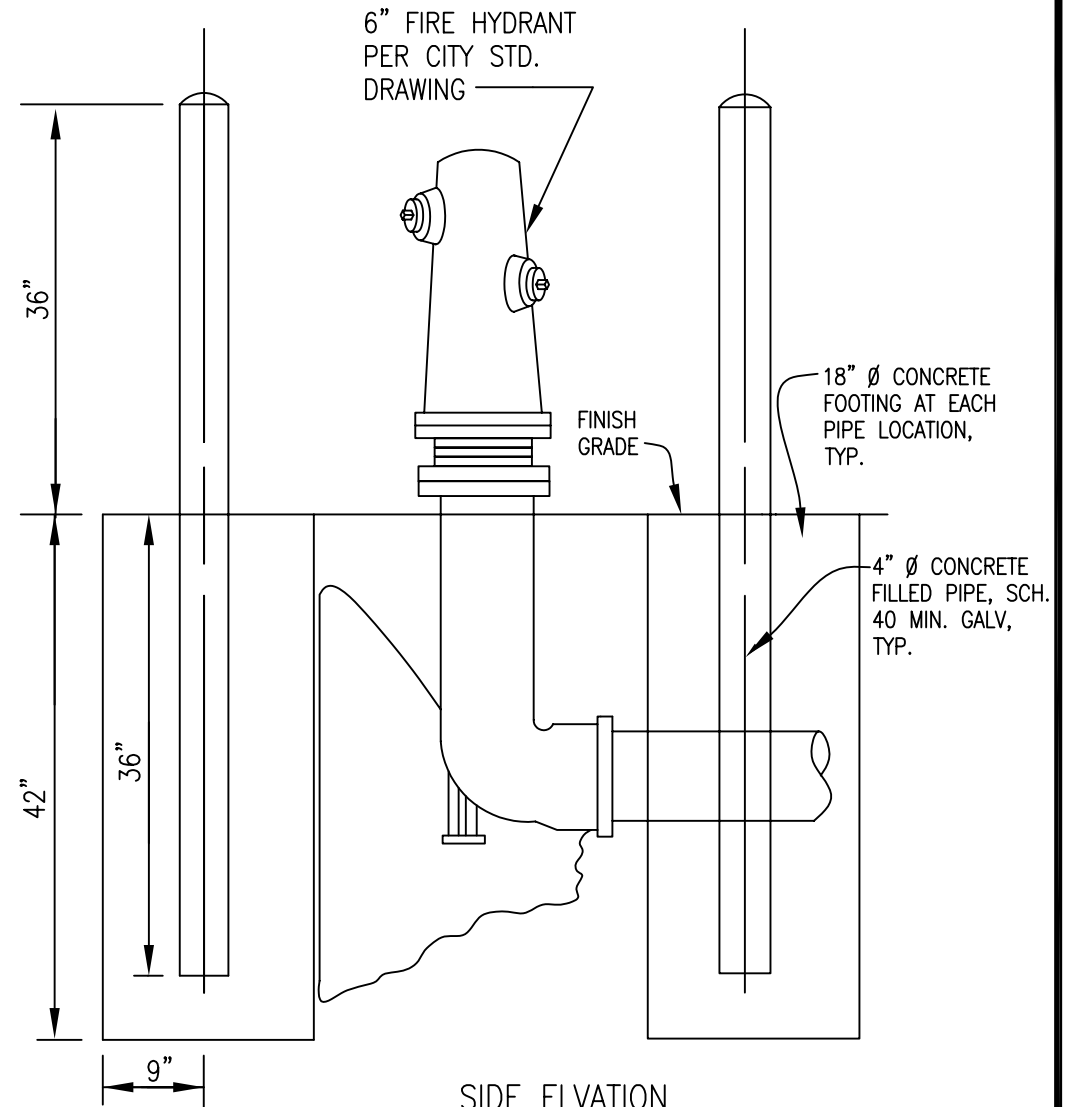
CAUTION :
DO NOT PLACE POST IN FRONT
OF OUTLETS. ADJUST LOCATION
AS NECESSARY.
SEE STD. DRWG. FOR FIRE
HYDRANT INSTALLATION.

WIRE BRUSH, PRIME W/ZINC
CHROMATE & PAINT APPROVED
METAL ENAMEL (COLOR SILVER)
TYP. FOR PROTECTION POST.


BURY
ROTATE TO CLEAR
POST

Ø 4½" N.S.T. OUTLET

THRUST BLOCK



SIDE ELVATION
SCALE $\frac{3}{4}'' = 1'-0''$

RICHARD G. SWEET R.C.E. 44,213 EXP. 6/30/07		11/22/04				City of Santa Maria Standard Drawing	
REVISIONS		DATE	DATE				
		BY	APP	DATE	FIRE HYDRANT PROTECTION ASSEMBLY		WA-20
DRAWN BY: L.R.U.		DATE DRAWN: 6/74		SCALE: AS SHOWN		SHEET 1 OF 1	