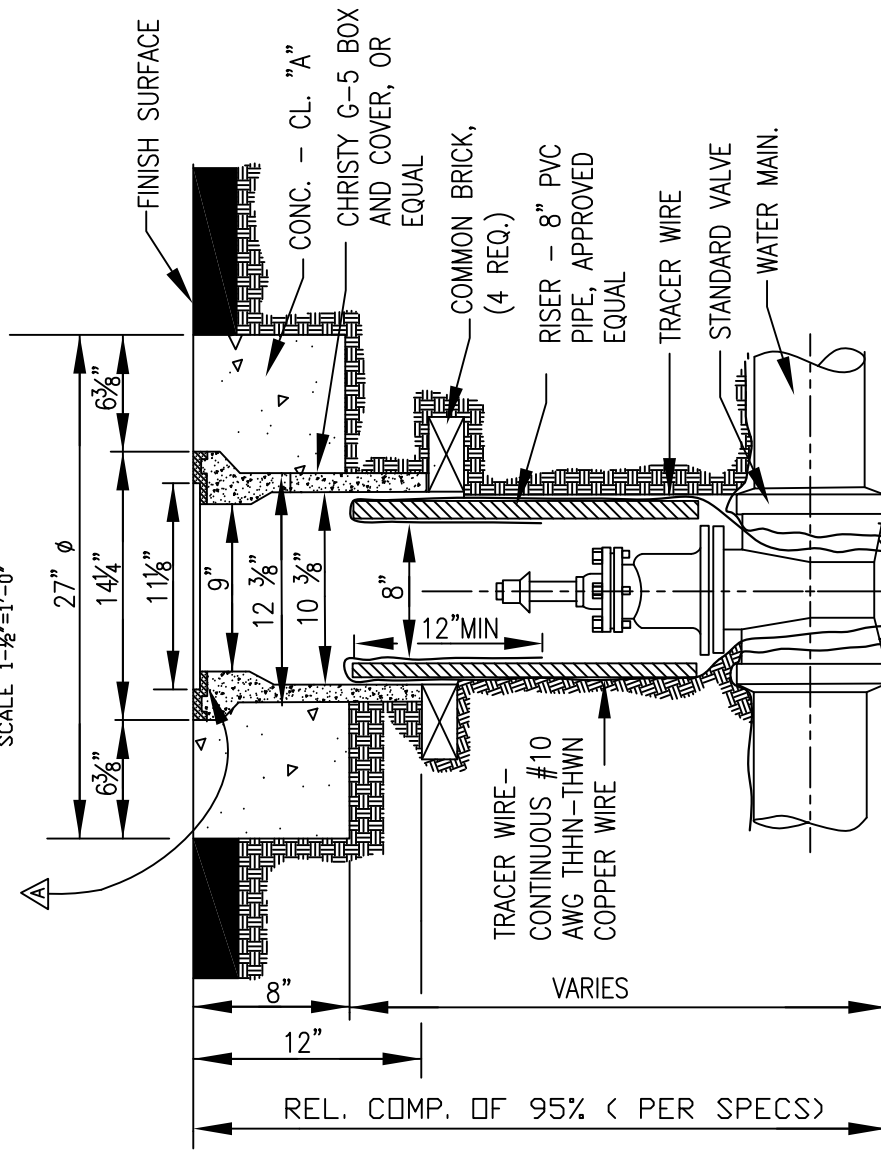


PLAN OF VALVE BOX

SCALE 1-1/2"=1'-0"




SECTION OF VALVE BOX

SCALE 1-1/2"=1'-0"

NOTE:

IF TWO INCH (2") SQUARE OPERATING NUT IS OVER 48" BELOW FINISH GRADE, A 1" DIAMETER STEEL EXTENSION SHAFT SHALL BE PROVIDED AND INSTALLED. SEE STD. SPEC. FOR WATER MAINS AND MATERIALS AND STD. DWG. FOR VALVE STEM EXTENSION.

INSTALL RAP-O MANHOLE COVER CUSHION AROUND BOX LID BY MUNICIPAL SERVICES INC.; 420 BOSTON TURNPIKE; SHREWSBURY MASS.; 01545 OR APPROVED EQUAL.

RICHARD G. SWEET R.C.E. 44,213 EXP. 6/30/07		11/22/04		DATE			City of Santa Maria	
REVISIONS		BY	APP	DATE	DESCRIPTION:		Standard Drawing	
A	REVISION INDICATED	MK		8/06	VALVE BOX & RISER	STANDARD NUMBER		
B	UTILITIES DEPARTMENT REVISIONS	CJP		6/08		WA-21B		
DRAWN BY: R.L.B.		DATE DRAWN: 11/66		SCALE: NONE		SHEET 1 OF 1		