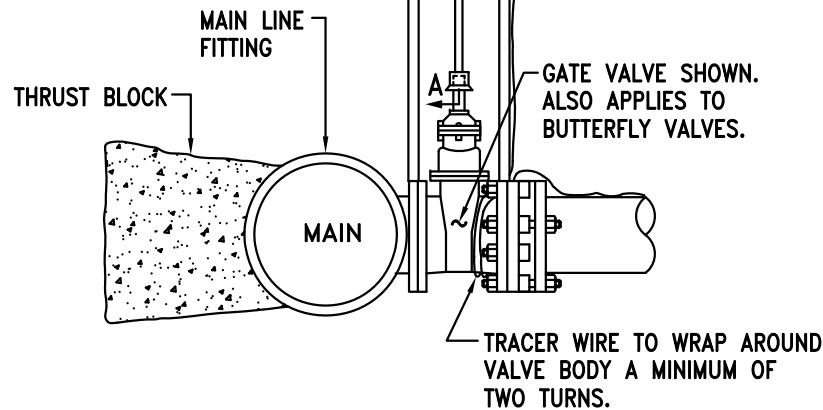
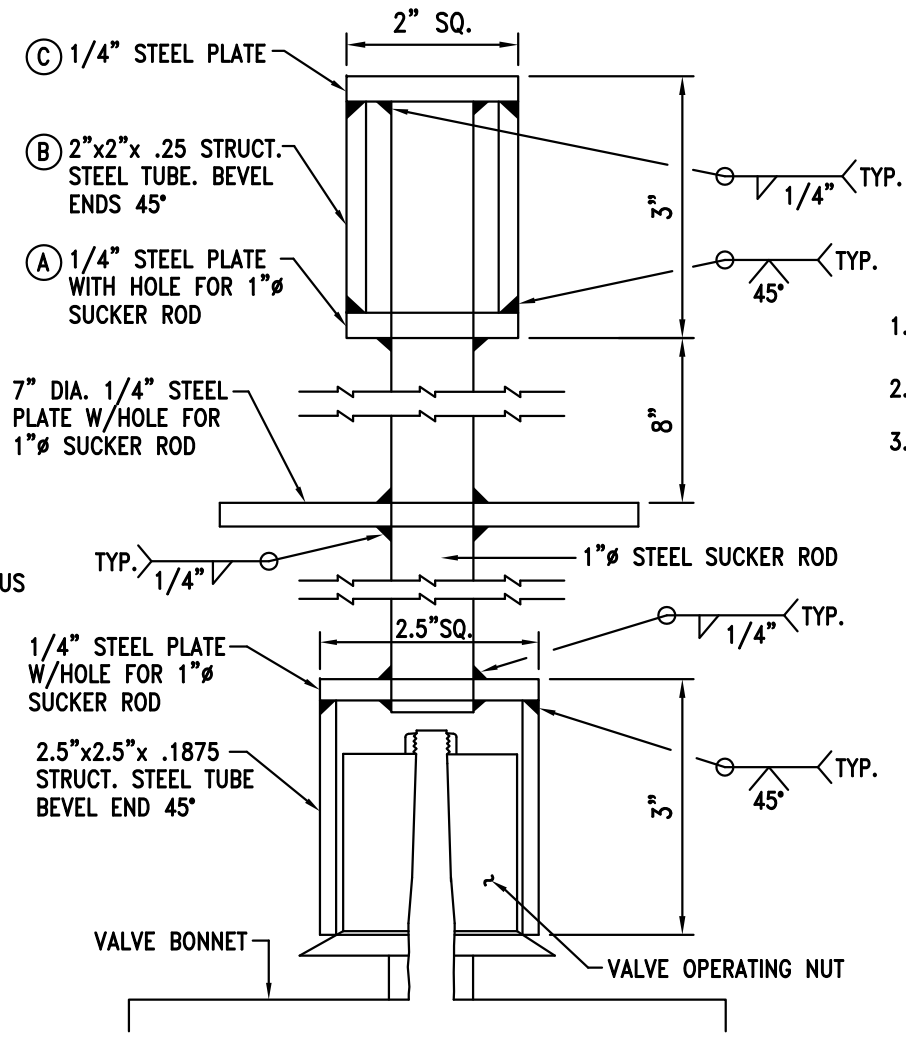


NOTE: ALL VALVES SHALL HAVE A TWO INCH SQ. (2") OPERATING NUT. IF THE OPERATING NUT IS OVER FORTY-EIGHT (48") BENEATH FINISH GRADE, A VALVE STEM EXTENSION SHALL BE REQUIRED.



SECTIONAL ELEVATION




TOP ASSEMBLY ORDER OF FABRICATION

1. SLIP (A) AND (B) OVER 1"Ø SUCKER ROD.
2. WELD (C) TO 1"Ø SUCKER ROD.
3. MOVE (A) AND (B) UP TO (C) AND COMPLETE WELDS INDICATED.

NOTE: AFTER FABRICATION COAT ENTIRE ASSEMBLY WITH TWO COATS RUSTOLEUM PRIMER.

SECTION A-A
N.T.S.

RICHARD G. SWEET R.C.E. 44,213 EXP. 6/30/07		7/18/05 DATE			City of Santa Maria Standard Drawing	
REVISIONS		BY	APP		DATE	DESCRIPTION:
A	UTILITIES DEPARTMENT REVISIONS	CjP		6/08	VALVE STEM EXTENSION	WA-22A
DRAWN BY: MK		DATE DRAWN: 1/81		SCALE: NONE		SHEET 1 OF 1