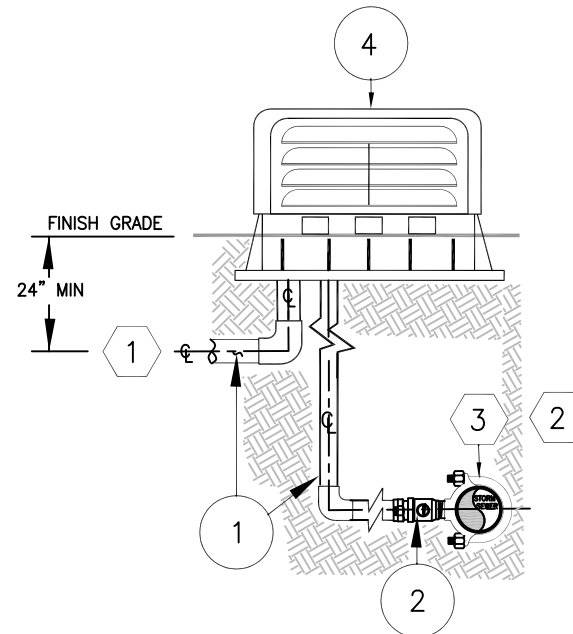


SECTION 1-B

TYPICAL 1-1/2", AND 2"
INSTALLATION AT BACK OF SIDEWALK
FOR AUTOMATIC FLUSHING DEVICE



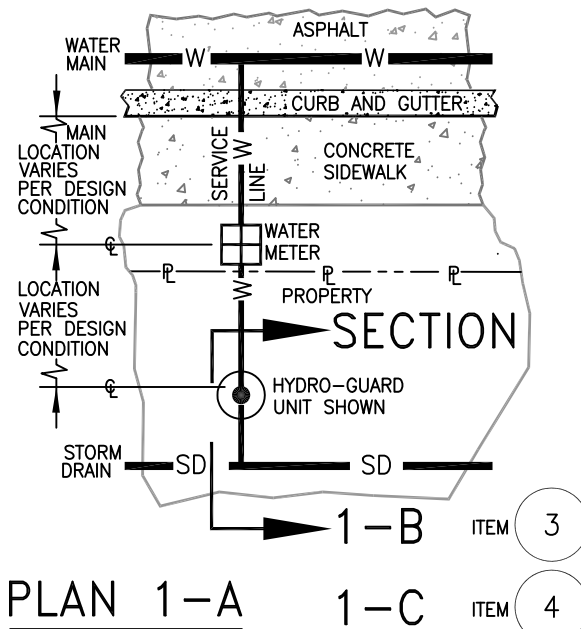
SECTION 1-C

TYPICAL 1-1/2", AND 2"
INSTALLATION AT BACK OF SIDEWALK
FOR AUTOMATIC DIRECT DISCHARGE
FLUSHING DEVICE

LIST OF MATERIALS	
①	1 1/2", OR 2" (SCHEDULE 80) SERVICE TUBE - TYPE "K" SOFT COPPER.
②	1 1/2", OR 2" COMPRESSION CORPORATION STOP VALVE BY JAMES JONES NO. J-1937 OR APPROVED EQUAL AS SPECIFIED BY AWWA STDS C-800.
③	HYDRO-GUARD AUTOMATIC FLUSHING DEVICE UNIT W/SPLASH PLATE & BASE BY HYDRO GUARD ITEM ID HGI COMP. OR EQUIVALENT ACCEPTABLE PRODUCT.
④	HYDRO-GUARD AUTOMATIC DIRECT DISCHARGE FLUSHING DEVICE UNIT OR EQUIVALENT ACCEPTABLE PRODUCT.


GENERAL NOTES:

- ① WATER SERVICE SHALL BE INSTALLED PER CITY STANDARD DRAWINGS; AS APPROPRIATE, COORDINATE INSTALLATION WITH THE CITY UTILITY DEPARTMENT SO THE METER BOX CAN BE SET TO FINAL GRADE.
- ② 90% COMPACTION.
- ③ SELECTED DISCHARGE SHALL BE STORM SEWER, OR RETENTION AREA, OR OTHER DISPOSAL FACILITY APPROVED BY CITY ENGINEER. END OF DISCHARGE PIPE SHALL BE COVERED WITH 1/4 INCH STAINLESS STEEL MESH.



PLAN 1-A

1-B ITEM ③
1-C ITEM ④

RICHARD G. SWEET R.C.E. 44,213 EXP. 6/30/07		12/01/05		DATE	
REVISIONS		BY	APP	DATE	
A	UTILITY DEPARTMENT REVISIONS	CJP		6/17/08	
DRAWN BY: J.H.			DATE DRAWN: 3/03		SCALE: NONE
				City of Santa Maria Standard Drawing	
				DESCRIPTION: 1 1/2" AND 2" AUTOMATIC HYDRO GUARD FLUSHING DEVICE	
				STANDARD NUMBER	
				WA-25A	
				SHEET 1 OF 1	